

## Specification Sheet

# WaterUps® Square Planter

15090  
16050  
17050

**Go to the product page**

You can go to the product page on our website using the link or the QR code below.

**Product page** 



## Description

The WaterUps® square planter is a modular system that can be used as a stand-alone planter or as part of a larger display. This planter uses the same components as our other wicking beds and allows you to enjoy the benefits of a fully fledged wicking system.

## Colours available

SKU: 15090 - Monument

SKU: 16050 - Light Grey

SKU: 17050 - Sandstone

## Contents

The WaterUps® Square Planter kit contains the following:

- 1 x WaterUps® Square Planter;
- 1 x WaterUps® Wicking Cell;
- 1 x WaterUps® Inlet Pipe and Cap;
- 1 x WaterUps® Short Overflow Pipe;
- 1 x 2L bag of Perlite; and
- 1 x Assembly guide.

## Specifications

Material - WaterUps® Square Planter: "Post consumer" re-cycled Polypropylene

Material - WaterUps® System products: Recycled Polypropylene

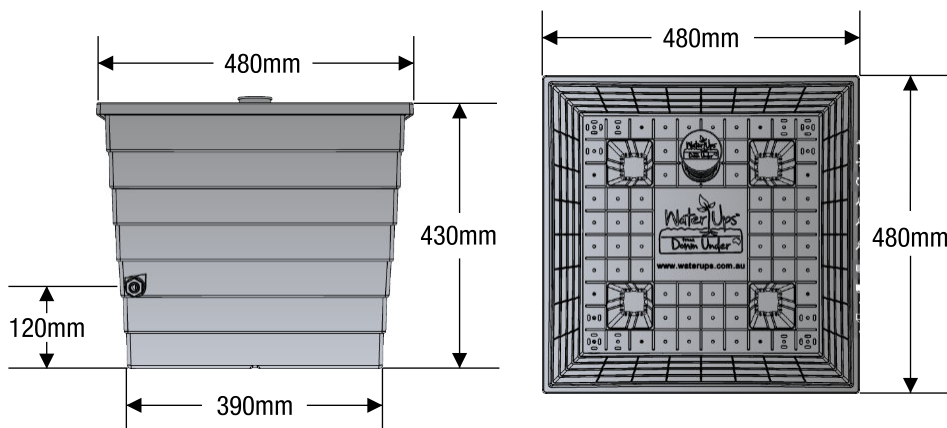
Country of manufacture: Australia

External dimensions: 480mm L x 480mm W x 430mm H

Colour - WaterUps® System products: Black

Weight: 8 kilograms

Water reservoir capacity: 17.6 litres



# Contact Us

## Sales

Email: [sales@waterups.com.au](mailto:sales@waterups.com.au)

Phone: 1300 205 550

## General Enquiries

Email: [info@waterups.com.au](mailto:info@waterups.com.au)

## Account Enquiries

Email: [accounts@waterups.com.au](mailto:accounts@waterups.com.au)

The WaterUps® website is owned and operated by WaterWix Pty Ltd – ABN 58 166 973 011.

The information contained in this document is provided as is and without any warranties of any kind, whether expressed or implied. Users are advised to make their own determination as to the suitability of this information

in relation to their particular purpose or specific circumstances. No responsibility can be accepted by WaterUps®, WaterWix Pty Ltd, or its staff for any loss resulting from any action taken or reliance made by you on any information contained in this document.

Copyright © 2022 WaterWix Pty Ltd. All rights reserved. WaterUps, the WaterUps Logo and Wicking our World are registered trademarks of WaterWix Pty Ltd.

Published: 1 April 2022