

Specification Sheet

WaterUps® Oasis 1240 Wicking Bed

15070WOOD

Go to the product page

You can go to the product page on our website using the link or the QR code below.

[Product Page](#) 



Description

The WaterUps® Oasis 1240 Wicking Bed is an Australian designed garden bed for those gardeners looking for a great border bed. They are manufactured from COLORBOND® steel and include top and bottom capping rails for greater wall strength.

The bed only needs watering once every two or three weeks as no water is lost through evaporation. Just add perlite, potting mix, compost, and your plants.

Colours available

SKU: 15070WOOD - Woodland Grey

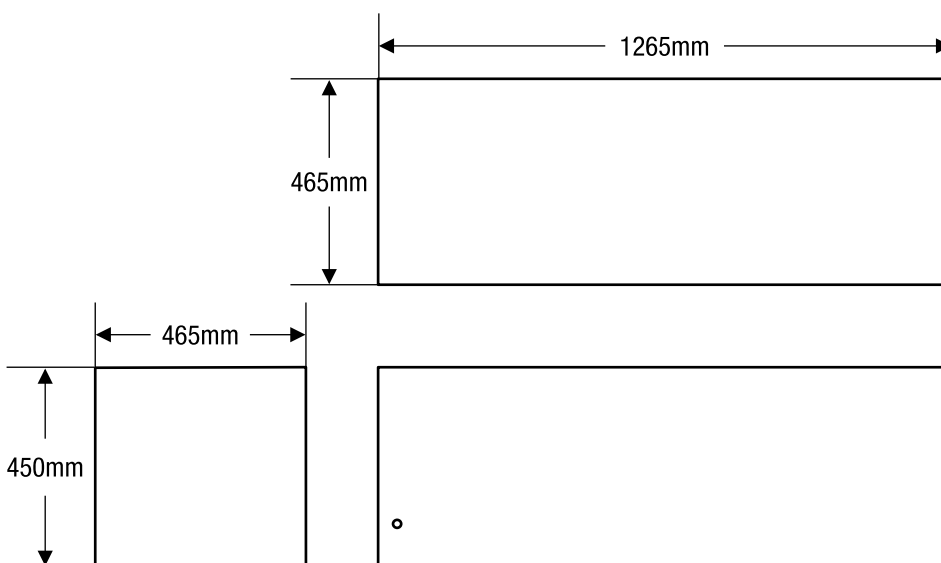
Contents

The WaterUps® 1240 Wicking Bed kit contains the following:

- 1 x WaterUps® Oasis 1240 Wicking Bed;
- 1 x WaterUps® 1240 Reservoir Liner;
- 3 x WaterUps® Wicking Cells;
- 1 x WaterUps® Inlet Pipe and Cap;
- 1 x WaterUps® Long Overflow Pipe; and
- 1 x Assembly guide.

Specifications

Material - Oasis 1240 Wicking Bed:	COLORBOND® steel
Material - Oasis 1240 Reservoir Liner:	0.38mm Black Jetco Promeg Ecorange 100% recycled Polypropylene
Material - WaterUps® System products:	Recycled Polypropylene
Country of manufacture:	Australia
External dimensions:	1265mm L x 465mm W x 450mm H
Colour - Oasis 1240 Reservoir Liner:	Black
Colour - WaterUps® System products:	Black
Weight:	19.0 kilograms
Water reservoir capacity:	52.8 litres



Contact Us

Sales

Email: sales@waterups.com.au

Phone: 1300 205 550

General Enquiries

Email: info@waterups.com.au

Account Enquiries

Email: accounts@waterups.com.au

The WaterUps® website is owned and operated by WaterWix Pty Ltd – ABN 58 166 973 011.

The information contained in this document is provided as is and without any warranties of any kind, whether expressed or implied. Users are advised to make their own determination as to the suitability of this information

in relation to their particular purpose or specific circumstances. No responsibility can be accepted by WaterUps®, WaterWix Pty Ltd, or its staff for any loss resulting from any action taken or reliance made by you on any information contained in this document.

Copyright © 2022 WaterWix Pty Ltd. All rights reserved. WaterUps, the WaterUps Logo and Wicking our World are registered trademarks of WaterWix Pty Ltd.

Published: 1 April 2022