

## Assembly Guide

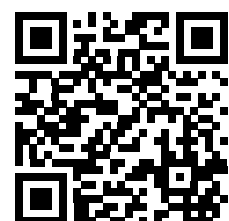
# WaterUps® 1680 Wicking Kit

1550

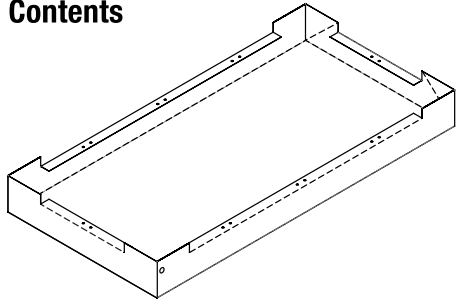
### WaterUps® Getting Started page

Our Getting Started page contains lots of helpful information. You can go to it using the link or the QR code below.

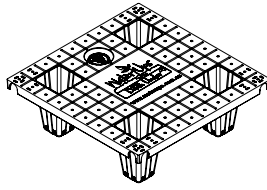
[Getting Started](#) 



## Contents



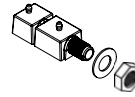
1 x WaterUps® 1680 Reservoir Liner



8 x WaterUps®  
Wicking Cell



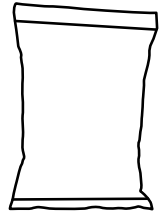
1 x Inlet Pipe  
and Cap



1 x Overflow  
Pipe



11 x Joiners



1 x 20L bag  
of Perlite

## You will need



Approximately 3 square metres  
of level ground to build on.



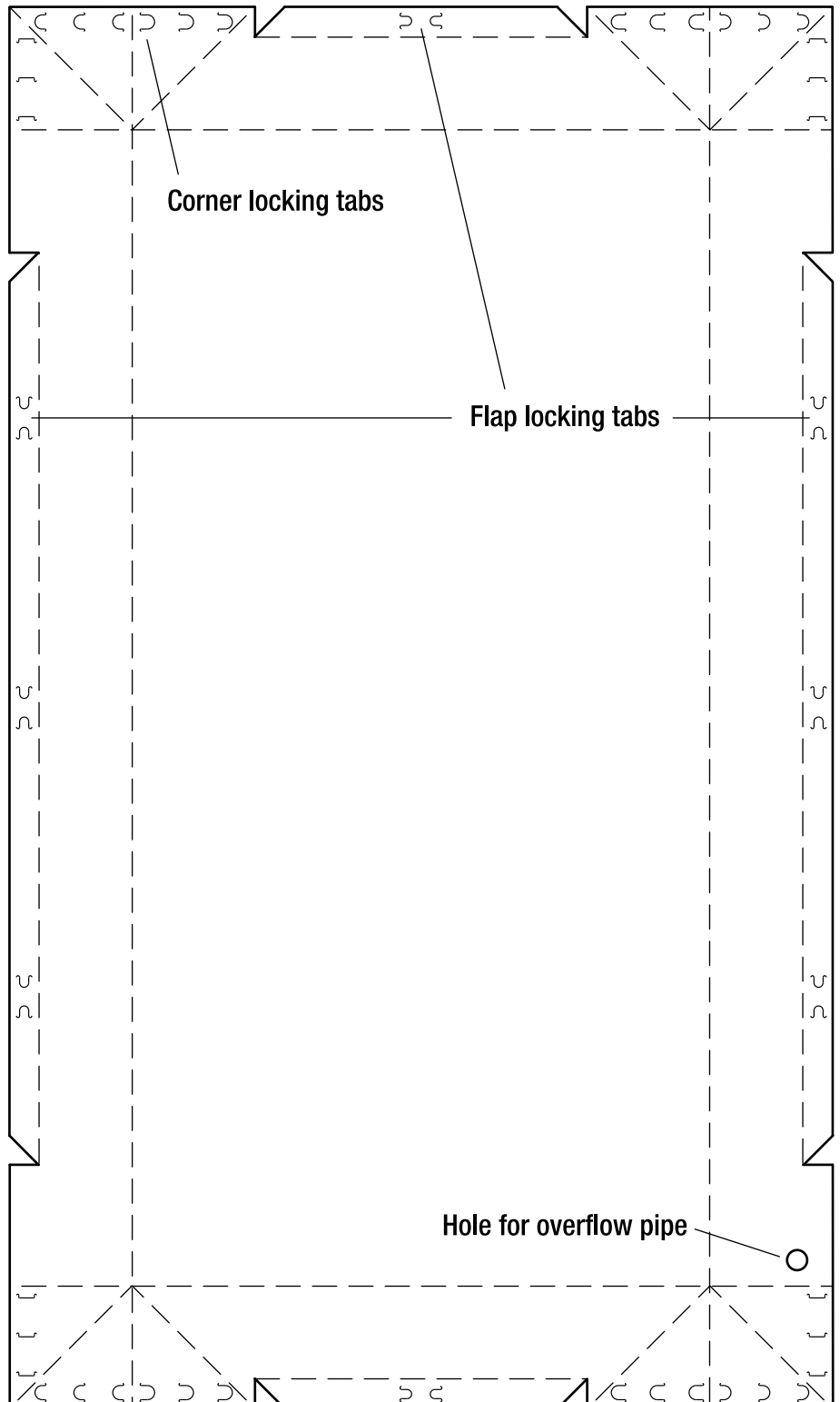
A sharp knife.



Approximately 500ml of water.



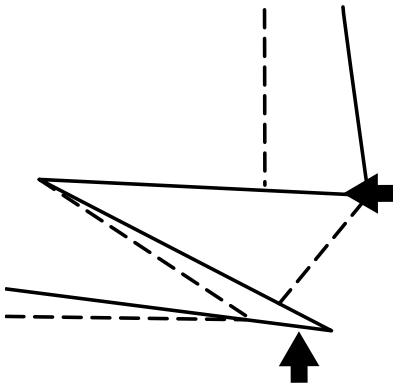
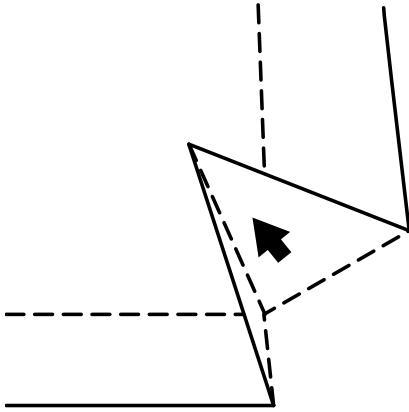
16 x 25 litre bags of good quality  
soil or potting mix.



## 1. Preparing the reservoir liner.

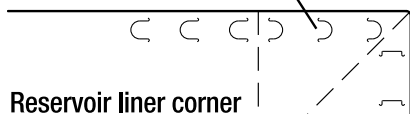
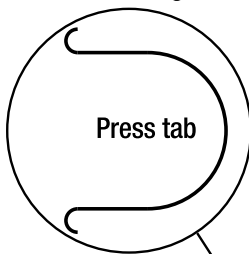
Take the liner and completely unfold it, and lay it flat on the ground as shown in the diagram on page 2.

Next, take the corners and fold them back in on themselves, ensuring that the crease is tight, and goes right to the corner, making it nice and square.



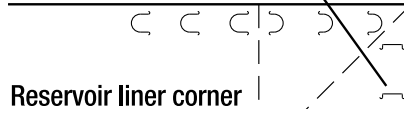
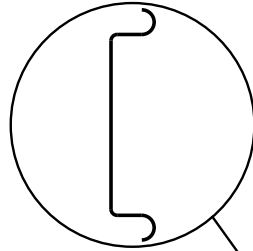
To secure the corners push the three locking tabs through the first two layers of the reservoir liner.

Corner locking tab



Lock the tabs into the slots in the last layer of the folded liner to secure the corners in place.

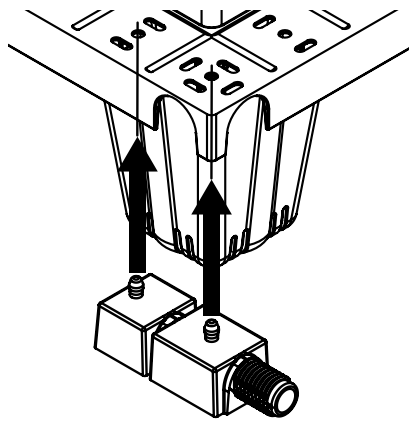
Corner locking slot



## 2. Creating your wicking bed.

Place the WaterUps® reservoir liner in the bed you have created, making sure that the hole in the liner for the overflow pipe lines up with the hole in the bed wall.

Take one of the WaterUps® Cells and fit the overflow pipe as shown in the image below.



Place the cell in bed and feed the overflow pipe through the hole in the reservoir liner and the bed wall. Make sure that the cell sits flat on the bottom of the reservoir liner.

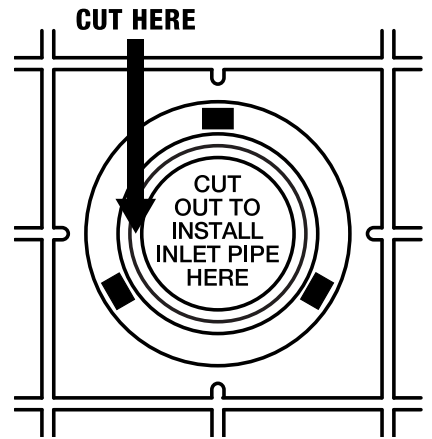
Replace the washer on the overflow pipe and tighten the nut.

Place the next six WaterUps® Cells into the reservoir liner, again making sure that they sit flat on the bottom.

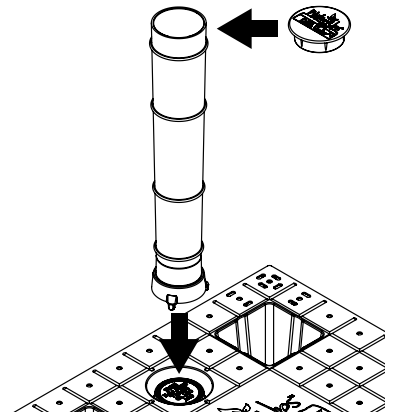
## 3. Fitting the water inlet pipe.

The next step is to fit the water inlet pipe, but first we have to cut a hole in the top of the last remaining WaterUps® Cell to let the water into the reservoir we are creating.

Using a sharp knife cut along the circular groove around the top of the WaterUps® Cell as shown in the image below.



The three tabs on the bottom of the water inlet pipe must lock into the three holes in the top of the WaterUps® Cell. Apply some pressure to the inlet pipe as you insert it, until it clicks into place in the WaterUps® Cell.

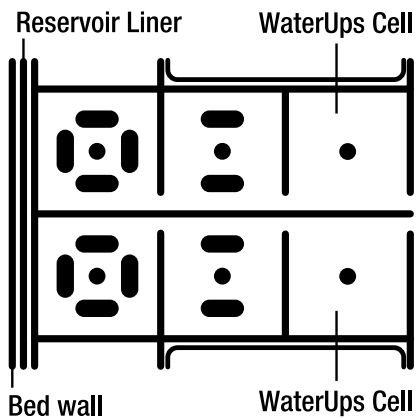


Once the inlet pipe is fitted, place the cell into the last remaining spot in the reservoir liner.

## 4. Fitting the Joiners.

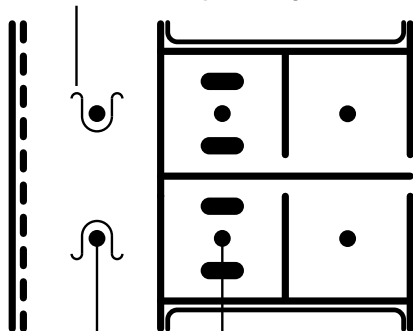
Use the WaterUps® Joiners to lock each of the WaterUps® Cells together and to secure the folded flaps of the reservoir liner.

Use the following steps to use the joiners to secure the folded flaps of the reservoir liner to the top of the WaterUps® Cells.



Fold the reservoir liner flap down over the WaterUps® Cells and fold the flap locking tabs back under the reservoir liner to expose the Joiner locking holes in the WaterUps® Cells.

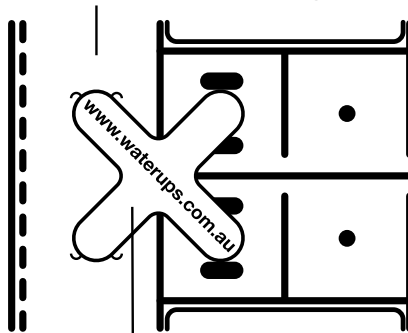
#### Reservoir liner flap locking tab



Joiner locking holes

Click the WaterUps® Joiner into the locking holes on the WaterUps Cells to secure the reservoir liner.

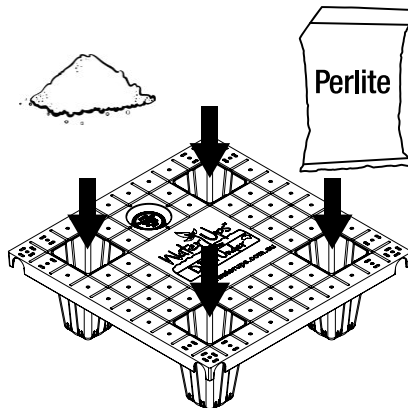
#### Reservoir Liner flap covering cells



Joiner secures flap to cells

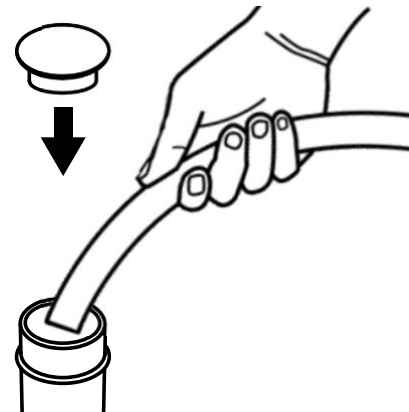
### 5. Adding perlite to the feet of the WaterUps® Cells.

Open the 20 litre bag of perlite and sprinkle some water over the perlite granules to help stop them from blowing away. Distribute the perlite evenly into all four feet of each of the eight WaterUps® Cells.



### 6. Watering your WaterUps® wicking bed.

To water your wicking bed simply insert a garden hose into the inlet pipe and fill the water reservoir until water starts flowing out of the overflow pipe. Replace the cap when done.



The water reservoir of your wicking bed will hold 140.8 litres of water. How often you need to refill the reservoir will depend on what plants you are growing, the time of year, and the amount of natural rainfall that you receive. However, in our experience, periods of up to four weeks are achievable before you will need to refill your planter.

It is recommended that you allow the water level in the wicking bed to go down to at least 1/4 full before refilling. This will assist soil aeration.

To check how much water is in the reservoir simply use a dipstick or set up a moisture sensor system.

## Contact Us

### Sales

Email: [sales@waterups.com.au](mailto:sales@waterups.com.au)

Phone: 1300 205 550

### General Enquiries

Email: [info@waterups.com.au](mailto:info@waterups.com.au)

### Account Enquiries

Email: [accounts@waterups.com.au](mailto:accounts@waterups.com.au)

The WaterUps® website is owned and operated by WaterWix Pty Ltd – ABN 58 166 973 011.

The information contained in this document is provided as is and without any warranties of any kind, whether expressed or implied. Users are advised to make their own determination as to the suitability of this information

in relation to their particular purpose or specific circumstances. No responsibility can be accepted by WaterUps®, WaterWix Pty Ltd, or its staff for any loss resulting from any action taken or reliance made by you on any information contained in this document.

Copyright © 2022 WaterWix Pty Ltd. All rights reserved. WaterUps, the WaterUps Logo and Wicking our World are registered trademarks of WaterWix Pty Ltd.

Published: 1 April 2022