

## Specification Sheet

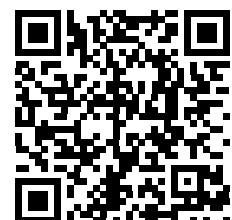
# WaterUps® 1680 Reservoir Liner Insert

13030

**Go to the product page**

You can go to the product page on our website using the link or the QR code below.

**Product Page** 



## Description

WaterUps® 1680 Reservoir Liner Inserts are manufactured in Australia from 0.38mm Black Jetco Promeg Ecorange 100% recycled Polypropylene.

The liner is designed for wicking beds with internal wall dimensions of 1600mm x 800mm. WaterUps® 1680 Reservoir Liner Inserts come with welded corners and a pre-cut hole for the overflow pipe to make installation very easy.

**Note:** This reservoir liner insert is not suitable for beds with internal posts.

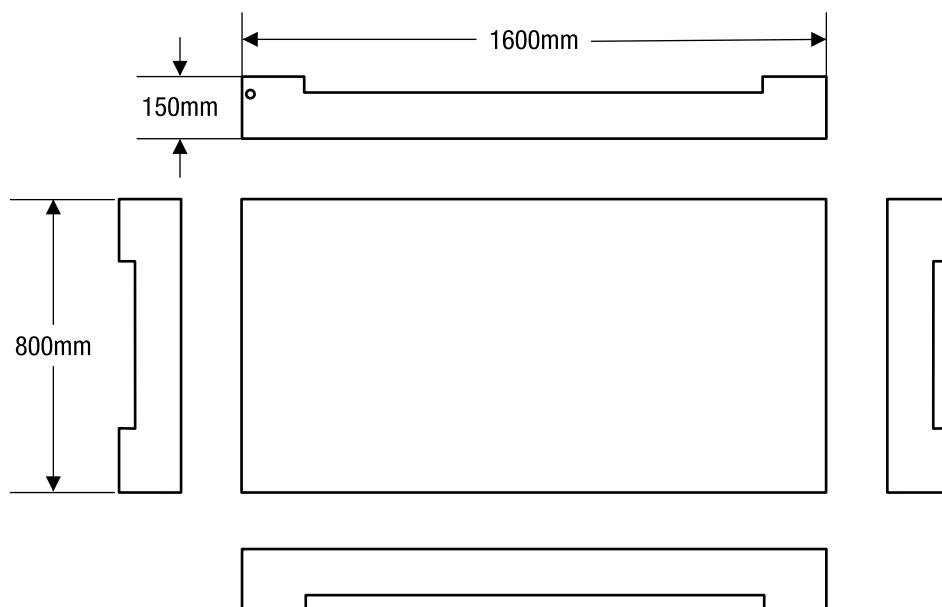
## Contents

The WaterUps® 1680 Reservoir Liner Insert comes with the following:

- 1 x WaterUps® 1680 Reservoir Liner Insert;
- and
- 1 x Assembly guide.

## Specifications

Material:	0.38mm Black Jetco Promeg Ecorange 100% recycled Polypropylene
Country of manufacture:	Australia
External dimensions:	1600mm L x 800mm W x 150mm H
Colour:	Black
Weight:	3.0 kilograms



# Contact Us

## Sales

Email: [sales@waterups.com.au](mailto:sales@waterups.com.au)

Phone: 1300 205 550

## General Enquiries

Email: [info@waterups.com.au](mailto:info@waterups.com.au)

## Account Enquiries

Email: [accounts@waterups.com.au](mailto:accounts@waterups.com.au)

The WaterUps® website is owned and operated by WaterWix Pty Ltd – ABN 58 166 973 011.

The information contained in this document is provided as is and without any warranties of any kind, whether expressed or implied. Users are advised to make their own determination as to the suitability of this information

in relation to their particular purpose or specific circumstances. No responsibility can be accepted by WaterUps®, WaterWix Pty Ltd, or its staff for any loss resulting from any action taken or reliance made by you on any information contained in this document.

Copyright © 2022 WaterWix Pty Ltd. All rights reserved. WaterUps, the WaterUps Logo and Wicking our World are registered trademarks of WaterWix Pty Ltd.

Published: 1 April 2022